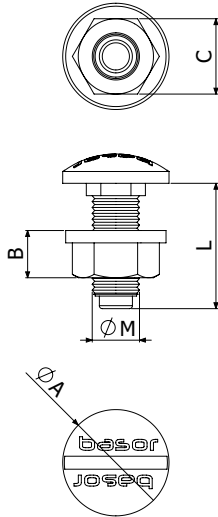


Bolt set CTBP

REV. 19/06/2018



CHARACTERISTICS



Models: 8x22.

Finishes: PVCM1, PVCM1 UV.

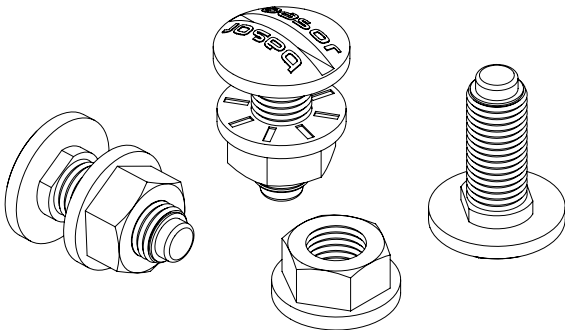
Characteristics:

- Rounded head
- Locking collar with parallel sides

Dimensions:

MODEL	M(mm)	L (mm)	A (mm)	B (mm)	C (mm)	T (N·m)
M8x22	8	22	18	8	13	4

USE INSTRUCTIONS



- The bolt set CTBP is used to fix and join trays and accessories of the BPE and BPI family.